

WATERCRAFTMANUALS.COM

813320

- | | | |
|--------------------------------------|-----------------------------|------------------------------|
| 1. Illuminated Direction Indicator | 7. Motor Tube | 15. Speed Control Wheel |
| 2. Steering Housing | 8. Mounting Tube Bracket | 16. Mounting Bracket |
| 3. Friction Knob (Height Adjustment) | 9. Motor Rest | 17. Bow Arm Assembly |
| 4. Adaptor Assembly | 10. Latch Release | 18. Mounting Tube |
| 5. Skag | 11. Guide | 19. Steering and Motor Cable |
| 6. Propeller | 12. Master Switch | 20. Model and Serial Number |
| | 13. Steering Foot Pedal | 21. Motor |
| | 14. On-Off Operation Switch | |

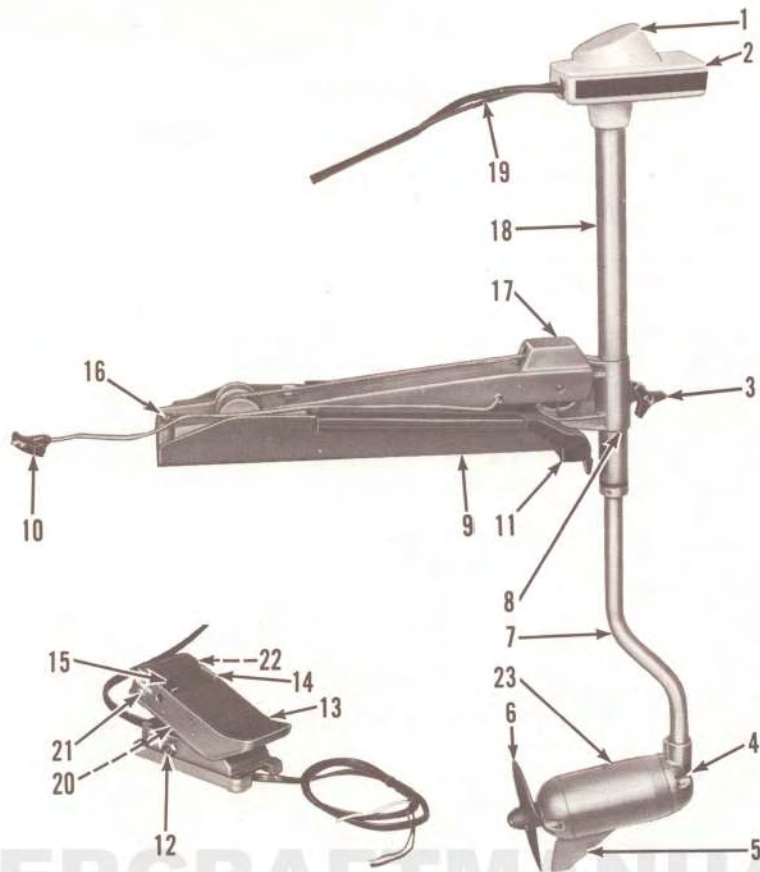
SPECIFICATIONS

Models EB52, E25 (5 ft cable)
 EBL52, EL25 (5 ft cable, long tube)
 EB82, E28 (8 ft cable)

Motor Permanent Magnet - 12 Volt
 Operating Current - Full Power 21 Amperes
 Static Thrust 15 Pounds (66N)

Controls

Steering Foot Control, 360° Steering
 Master Switch ON/OFF
 Speed Control Full Variable Speed
 Directional Indicator Lighted Panel
 Vertical Adjustment Range ... 15 Inches (381 mm)
 Lower Unit Drive 110°
 Propeller 2 Blade Nylon
 Weight (Includes Foot Control) 25 Pounds (11.3 kg)
 Battery Recommendation Deep Cycle 80
 amp. hr. or higher



- | | | |
|--------------------------------------|-----------------------------|-------------------------------------|
| 1. Illuminated Direction Indicator | 8. Mounting Tube Bracket | 17. Bow Arm Assembly |
| 2. Steering Housing | 9. Motor Rest | 18. Mounting Tube |
| 3. Friction Knob (Height Adjustment) | 10. Latch Release | 19. Steering and Motor Cable |
| 4. Adaptor Assembly | 11. Guide | 20. Model and Serial Number |
| 5. Skeg | 12. Master Switch | 21. Reset Button |
| 6. Propeller | 13. Steering Foot Pedal | 22. Voltage Selector Switch (Hi-Lo) |
| 7. Motor Tube | 14. On-Off Operation Switch | 23. Motor |
| | 15. Speed Control Wheel | |
| | 16. Mounting Bracket | |

SPECIFICATIONS

Models EB54, E45 (5 ft cable)
 EB84, E48 (8 ft cable)
 EBL84, EL48 (8 ft cable, long tube)

Motor Permanent Magnet - 12-24 Volt
 Operating Current - Full Power
 24 Volt 19 Amperes

Static Thrust
 24 Volt 22 Pounds (9.8 N)

Controls
 Steering Foot Control, 360° Steering
 Master Switch ON/OFF
 Speed Control 6 Speeds (3 on 12 volt plus
 3 on 24 volt)

Directional Indicator Lighted Panel
 Vertical Adjustment Range ... 15 Inches (381 mm)

Lower Unit Drive 110°

Propeller 2 Blade Lexan

Circuit Breaker In Foot Control

Weight (Includes Foot Control) 25 Pounds (11.3 kg)

Battery Recommendation (Two) Deep Cycle 80
 amp. hr. or higher

